

Imperium LED Highbay Quad mounting Installation sheet



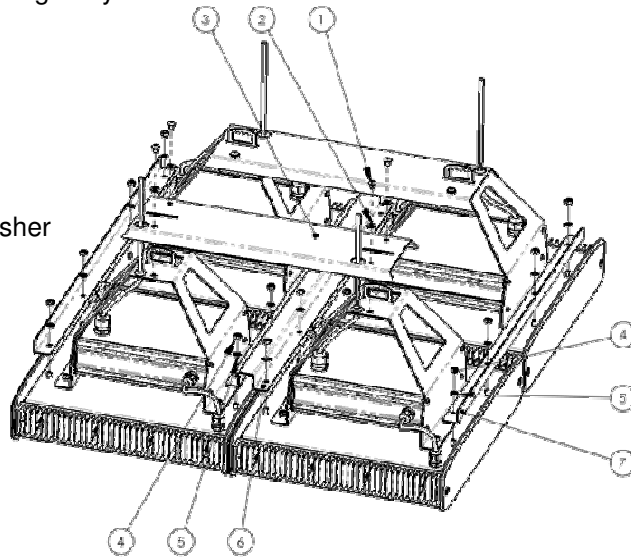
Standard Installation

Ensure mains is disconnected from the luminaire before installation or servicing.

Quad Mounting

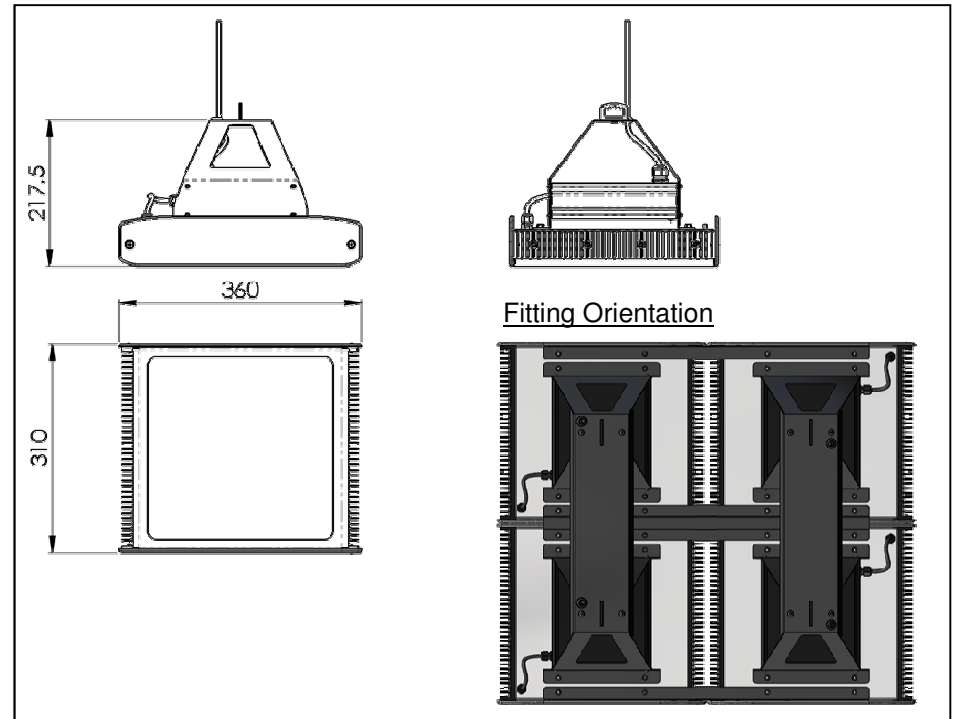
- Place four Imperium LED Highbay units together on a flat surface in the orientation shown.
- Attach the Joining bracket onto the eight studs shown using M5 serrated washers and nuts.
- Attach each of the Joining angles onto the four studs shown using M5 serrated washers and nuts.
- Thread the four mains cables through the holes in the joining bars and lower over the hanging loops until flush with the tops of both units.
- Secure using the M5 screws with flat washers into the threaded inserts provided in each high bay unit.

1. M5 x 12 Screw
2. M5 Flat washer
3. Joining bar
4. M5 Nut
5. M5 Serrated washer
6. Joining bracket
7. Joining Angle



- Mounting chain pitch is 312mm x 361mm.
- Suspend the completed assembly on four chains using the four hanging loops on the rear of the assembly.

Drawings



Safety Considerations

- Installation should be carried out by a suitably qualified person in accordance with relevant regulation and legislation.
- Maximum ambient operating temperature T_a is $+50^{\circ}\text{C}$
- There are no user serviceable parts on this product.
- For internal use only

WARNING - THIS LUMINAIRE MUST BE EARTHED.



LPA Excil Electronics
Ripley Drive
Normanton
Wakefield
WF6 1QT



Website | www.lpa-group.com
Email | ledsales@lpa-excil.com
Switchboard | +44 (0) 1924 224100
Fax | +44 (0) 1924 224111

