



729 Series

Emergency Light Deactivation Unit 110V

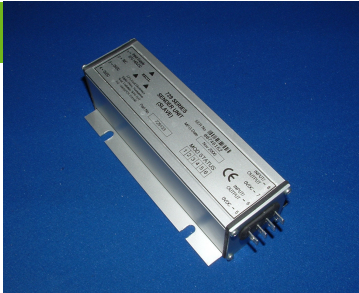


Long Life Reliability
does not cost the earth

LPA-EXCIL ELECTRONICS

Feature Summary

- High reliability, high integrity precision signal generator.
- Provides a precise ac coupled square wave at a frequency that will deactivate the 729 series Emergency Light when powered by it's internal battery.
- Master and Slave sender units can be configured to deactivate any number of Emergency lights.
- Slave units are bi-directional signal amplifiers.



Product Codes

- Master Sender Unit #729132
- Slave Sender Units #729133

Generic Product Features		
Input Voltage Range	67-140	V DC
Output Frequency	218	Hz
Maximum Emergency Lights	8	
Enclosure Type	Sealed Aluminium Extrusion (Figure 1)	
Input/Output Connection	6.35mm Faston Blade	



General Operation

The purpose of the Sender Unit is to provide a method of deactivating the emergency lighting when powered from internal battery. The Sender Unit must be powered from a source that is available when deactivation is required e.g. Normal lighting shutdown.

At least one Master Sender Unit is required to perform this function, additional Slave Sender Units can be added to increase the number of Emergency Lighting Units that can be de-activated.

Master Sender Unit

The Master Sender Unit is activated by momentarily applying 110VDC to the 'Activation Input'. The Sender Unit then generates an AC coupled precise 218Hz square wave signal for three seconds and is capable of deactivating up to 8 Emergency Lights.

Slave Sender Unit

There are two bi-directional signal ports that can receive and transmit the deactivation signal. When one of the ports receives a signal, the unit checks that the signal is 218Hz then generates a independent 218Hz square signal and transmits it through the non activated port for three seconds. The input signal can be processed on either of the two ports, automatically configuring the remaining port to be an output. The Slave Sender unit will not act on any frequency other than 218Hz.

Input Specification

Input Voltages and Currents

Input Supply Voltage Range	67-140	V DC
Nominal Input Voltage	110	
Input Voltage Limit Without Damage	160	

Master 'Activation' Input	67-140	V DC
Sender 'Activation' Frequency	218	Hz
Maximum Input Current (Master/Slave)	60	mA

Output Specification

Output Frequency	218	Hz
Output Voltage (pk)	15	V
Maximum Output Current	50mA	mA



Environmental Specification

Unit Weight (Master/Slave)		190	g
Dry Heat (steady state)	RIA13 1990 1995	70	°C
		6	Hrs
Sealing Rating		IP65	
Shock and Vibration		EN50155 & EN61373	
Crash Pulse		AV/ST9001	
Operating Temperature Range		-25 to 70	°C

Compliance

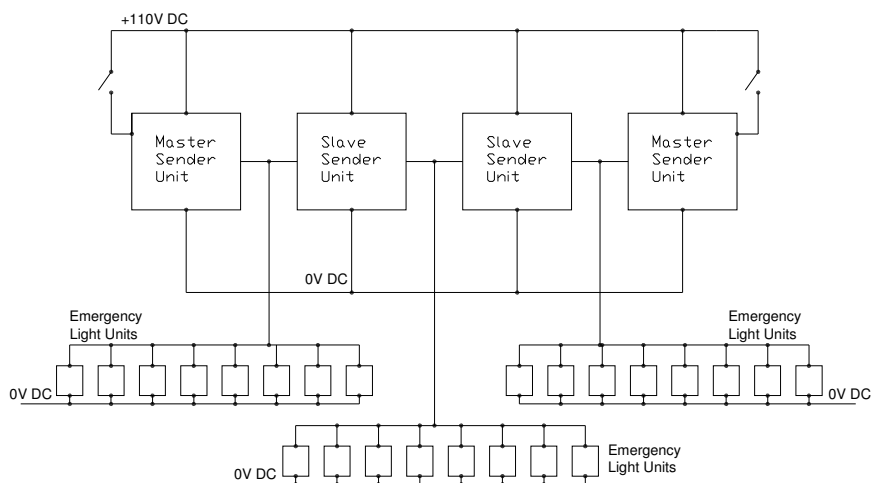
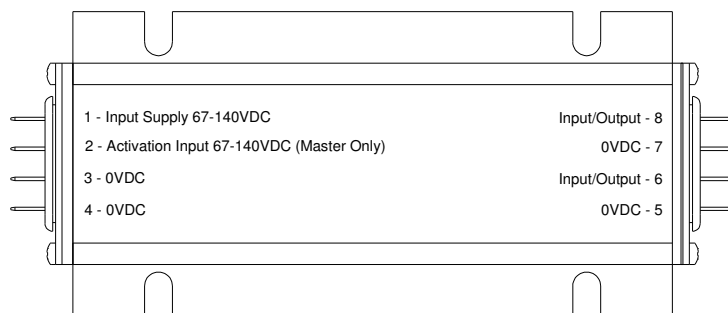
The 729 Series emergency deactivation units comply with the following standards:

- EN50121-3-2
- RIA12
- EN61373
- EN50155
- EN60529 to IP65
- AV/ST9001
- EN13272

* All immunity tests comply with performance criteria 'A'

Installation Guide

6.35mm Faston Crimps	
Pin 1	Input Supply +110V DC
Pin 2	Activation Input +110V DC (Master Only)
Pin 3	0V DC
Pin 4	0V DC
Pin 5	0V DC
Pin 6	Signal Input/Output
Pin 7	0V DC
Pin 8	Signal Input/Output

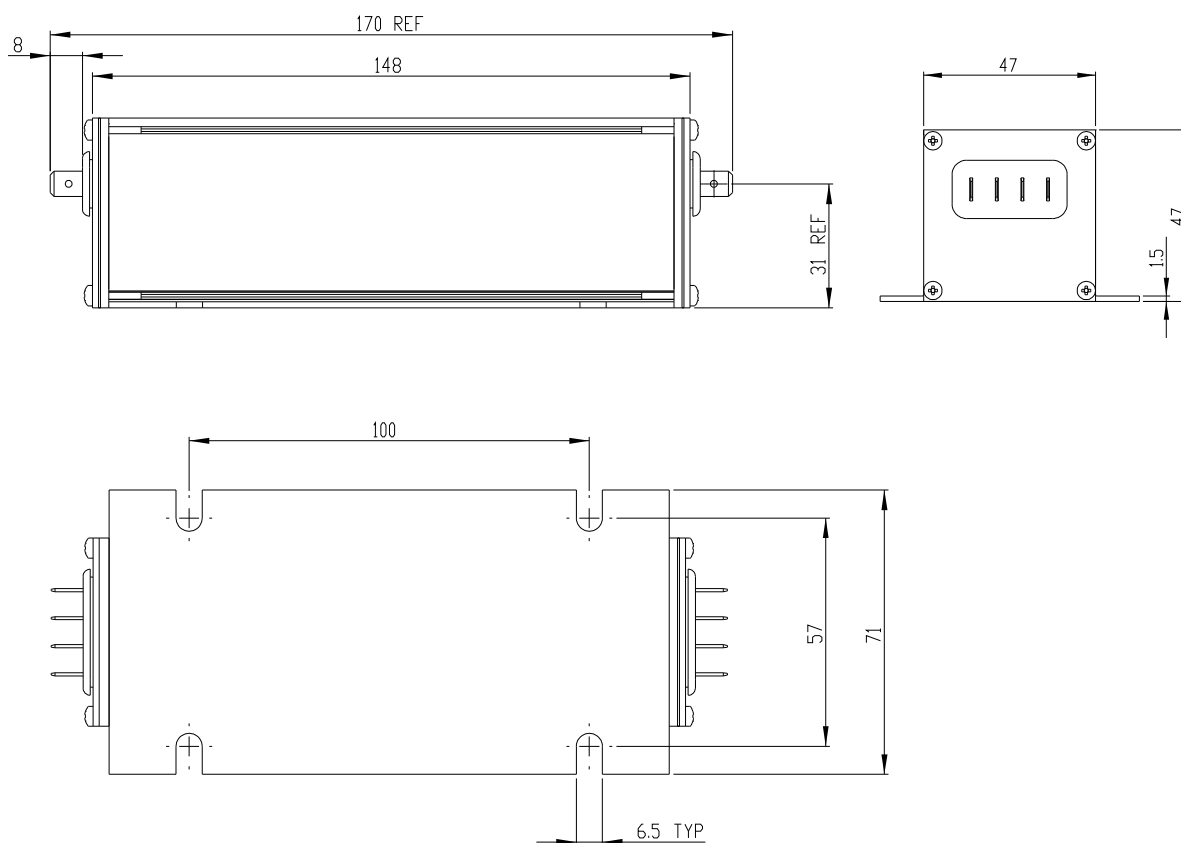


Any Number of Slave Sender units can be connected in series.

Mechanical Specification

All Dimensions in mm unless stated otherwise

Figure I - Aluminium Enclosure



LPA-Excil makes every effort to ensure the accuracy of the information contained within this datasheet. However we reserve the right to withdraw and re-issue this datasheet at a later date.



LPA-Excil Electronics
Ripley Drive, Normanton,
WF6 1QT, UK
Tel: +44 (0)1924 224100
Fax: +44 (0)1924 224111

LPA Excil Electronics is a member of the LPA group