

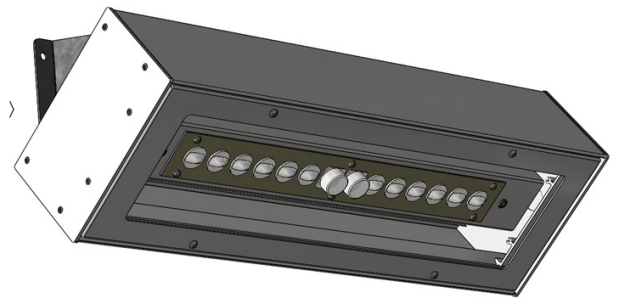
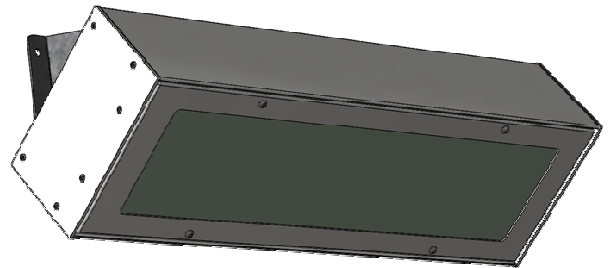
LumiTunnel

1052 — Series



Luminaire Overview

- › IP65 LED Linear Luminaire
- › Designed to meet LUL Section 12 compliance
- › 100,000 hours to 70% of initial lumen output
- › High reliability LED technology
- › 5 year warranty - Fit and forget
- › Multiple mounting options
- › All LEDs subject to Blue Light Hazard testing
- › Flicker free
- › Vandal Resistant
- › Clear Laminated Safety Glass diffuser
- › Multiple optics for ultra wide and uniform beam pattern
- › 15m Luminaire spacing
- › Dual driver technology



Product Codes

Product	Series	Intensity	Size	Colour Temp	Colour	Options
LTN	1052	S - Standard	5 - 550mm	C - Cool N - Natural W - Warm	W - White	E - Emergency** DE - Dali Emergency**



IP65



*Cool white- 6000K - 6500K

*Natural white- 4000K - 4200K

*Warm White- 2900K - 3200K

**Emergency refers to dual driver technology for connection to an external uninterruptable supply

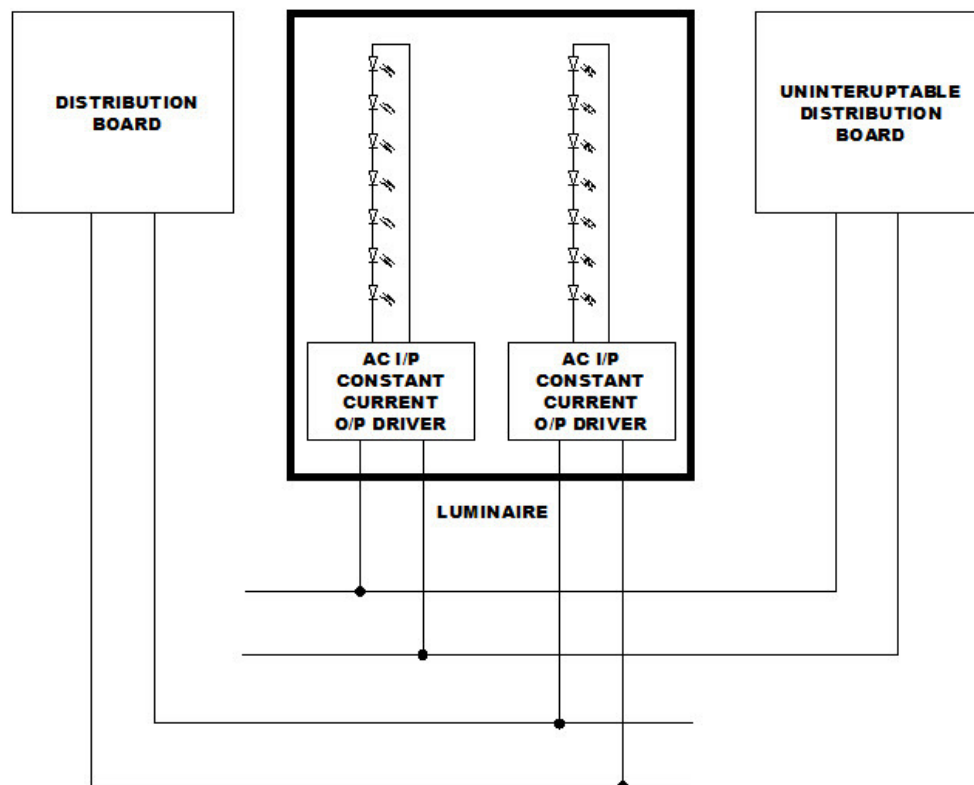
LPA Excil Electronics
Ripley Drive
Normanton
Wakefield
WF6 1QT

Email | Enquiries@lpa-excil.com
Website | www.lpa-group.com
Switchboard | +44 (0) 1924 224100
Fax | +44 (0) 1924 224111

Technical Specification

Input power	16W (Full) 8W (Emergency)
Input voltage range (VAC)	90 - 260Vac
AC Input Current (Max load @ 230VAC)	70mA
Power Factor	0.95
Power converter efficiency	90%
Operating temperature range (°C)	-30°C - 70°C
Operating hours to 70% of initial lumen output (hrs)	100,000
CRI	80
MTBF MIL-HDBK-217F (40°C) (hrs)	130,000hrs (full) 260,000hrs (Emergency)

Electrical Configuration



IP65



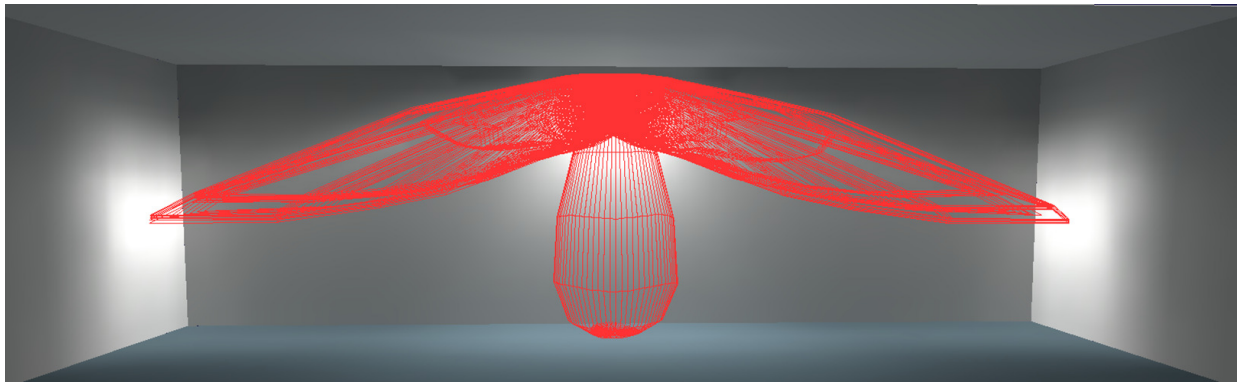
- > 14 LEDs total, split into two circuits
- > Each LED chain is powered by independent driver
- > Shunt bypass circuitry across each LED; the failure of a single LED does not effect the performance of the remaining LEDs

Photometric Data

Size	Power Consumption	Total Luminaire Lumens - Clear Glass Diffuser
550mm	16W (Both Circuits)	2240lm (Full)
550mm	8W (Single Circuit)	1120lm (Emergency)
Luminaire Efficacy	Lm/W	140

Luminaire Spacing

Luminaire Spacing	15m	Eav 50lux @1.85m (Full) Emin 5lux @1.85m (Emergency)
-------------------	-----	---



IP65

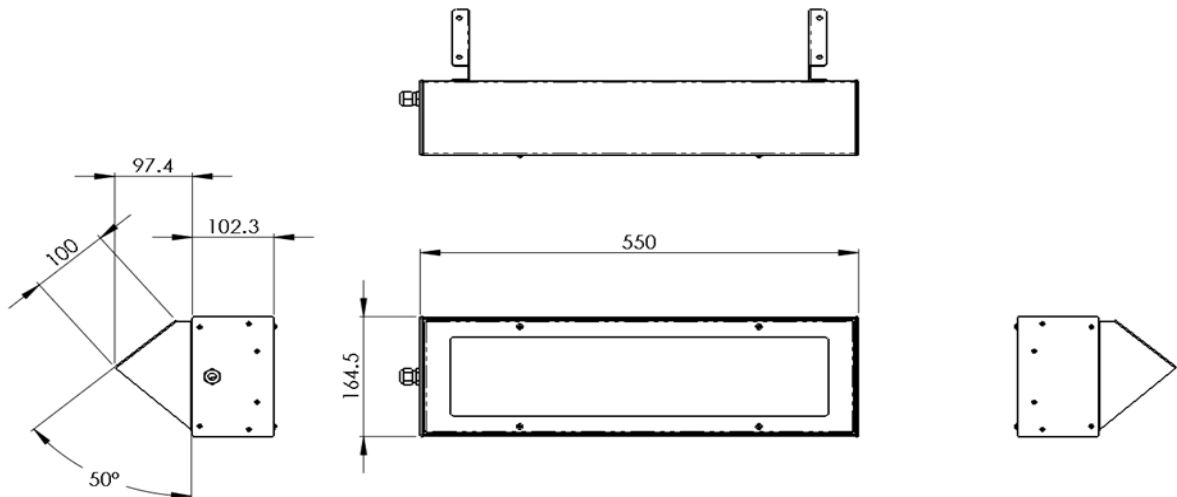


LPA Excil Electronics
Ripley Drive
Normanton
Wakefield
WF6 1QT

Email | Enquiries@lpa-excil.com
Website | www.lpa-group.com
Switchboard | +44 (0) 1924 224100
Fax | +44 (0) 1924 224111

Mechanical Specification

Size	102.3mm x164.5mm x 550mm
IK Rating	IK10
Weight	4.5kg



- › Laminated glass diffuser
- › Aluminium gear tray and end caps
- › Painted finish - White. Other colours can be available upon request.
- › Vandal resistant
- › Two optics used to give a wide illumination spread
- › Wall mounting bracket sets the luminaire at the correct angle of illumination.

Compliance

- › EN61000-6-3 Generic standards - Emission standard for residential, commercial and light industrial environments.
- › EN61000-6-3 Electromagnetic compatibility (EMC) - Generic standards— Immunity for industrial environments.
- › LUL 1-085 - Fire Safety Performance Of Materials.
- › EN60598 - Low Voltage Directive, Luminaires, General Requirements and Test
- › EN62262 - Degrees of protection provided by enclosures for electrical equipment against external mechanical impacts (IK code)
- › EN60529 - Degrees of protection provided by enclosures for electrical equipment against external mechanical impacts (IK code)



IP65



LPA Excil Electronics
Ripley Drive
Normanton
Wakefield
WF6 1QT

Email | Enquiries@lpa-excil.com
Website | www.lpa-group.com
Switchboard | +44 (0) 1924 224100
Fax | +44 (0) 1924 224111