



780 Series

Self Contained 24V Triple LED Down light

Feature Summary

- High efficiency low-maintenance LED-based downlight.
- Wide range of LED options available.
- Cool running designs give enhanced passenger comfort.
- Self Contained Power Supply.
- Loop in, loop out for up to 6 units in series.

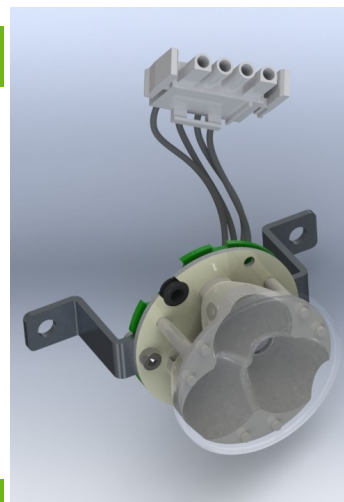
Product Codes

- 780XXX



*Long Life Reliability
does not cost the earth*

LPA-EXCIL ELECTRONICS





Input Voltage / LED Drive Current	
Nominal Input Voltage LED Drive Current	24VDC 350mA
Nominal Input Current	160mA
Input Voltage Range	14.4 – 41VDC
Input Power	4W

Lens Type			
Code	N	M	W
Lens Type Beam Angle*	Narrow ±6.5°	Medium ±11.25°	Wide ±22.25°
Spot Radius @ 2m (to 50% intensity)*	0.23m	0.4m	0.82m
Lens Factor	14.7	3.8	1.6

LED Intensity (lm/W)			
LED Colour *	Cool White	Natural White	Warm White
LED Intensity (lumens @ 350mA)	91-118	80-100	80-100
Lumen Per Watt (min)	68	60	60

* LED colour temperature is selectable, ±500k - Cool White, ±250k - Natural White & Warm White.

Input Connector	
Input Connector	4-Way Amp Mate- N-Lok Connector 400mm Lead
Connector View	
Pin-Out	Pin 1 = +Ve I/P Pin 2 = -Ve I/P Pin 3 = +Ve O/P Pin 4 = -Ve O/P



Environmental Specification

Sealing Rating (Front Face)	N/A
Shock and Vibration	EN61373
Operating Temperature Range	-25 to +70°C
EMC	EN50121-3-2
General	EN50155

Safety Specification

All variants come equipped with the following protection circuitry as standard:

- **Input Voltage Transient Suppression.**
- **Reverse Polarity Protection.**

Compliance

24V self contained LED Down lights comply with the following standards:

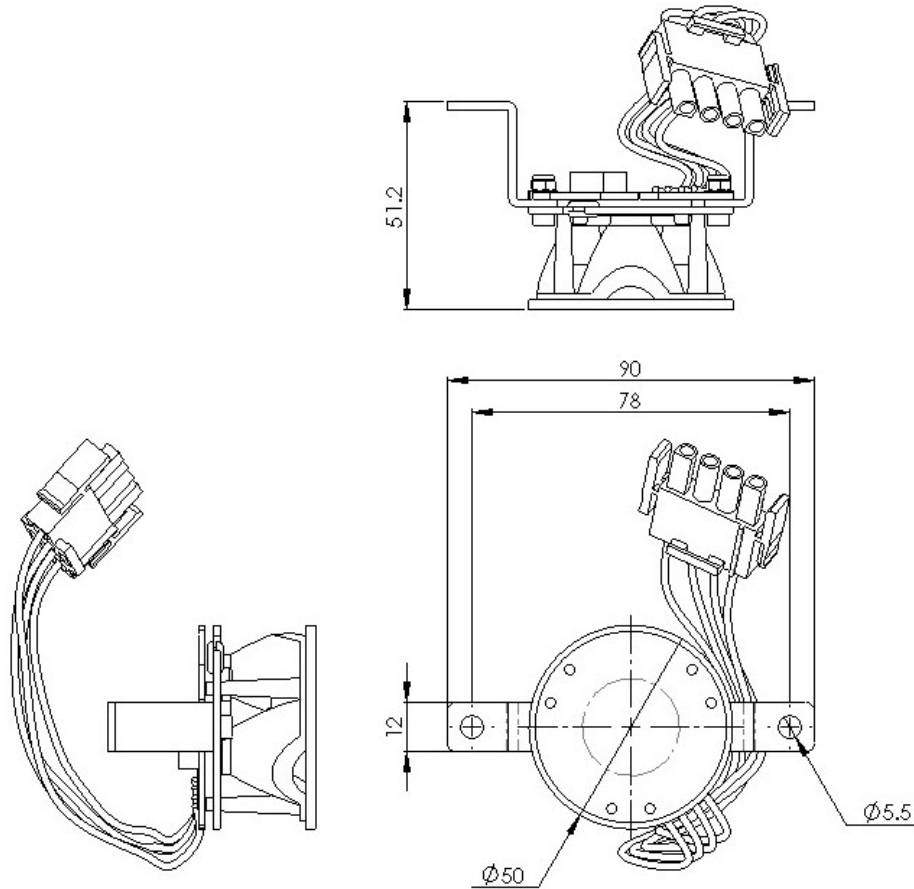
- EN50121-3-2
- EN61373
- EN50155

Other Details

- **Projected Time to 70% of Initial Lumen Output @ 25°C Ambient**
~ 120,000 hrs
- **MTBF:** - 2,250,000hrs
- **Illuminance Rating, to calculate the illuminance rating (lux) use the following formula:**

$$\frac{\text{LED Intensity (lm)} * \text{Lens Factor (cd/lm)}}{(\text{Distance from LED (m)})^2}$$

Mechanical Specification



LPA-Excil makes every effort to ensure the accuracy of the information contained within this datasheet. However we reserve the right to withdraw and re-issue this datasheet at a later date.



LPA-Excil Electronics
Ripley Drive, Normanton,
WF6 1QT, UK
Tel: +44 (0)1924 224100
Fax: +44 (0)1924 224111

LPA Excil Electronics is a member of the LPA group